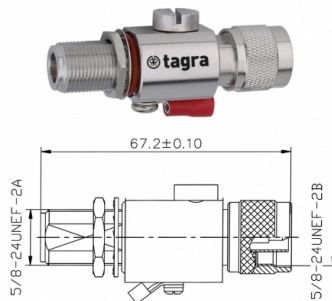


PRO-N

PRO-N - DOWNLOADS PROTECTOR COAX N MALE-
FEMALE



Impedance	50 Ω
Material	Nickel plated
Connector type	N male - N female
Temperature (°C)	-55°C ~ 155°C
SWR	≤1.3:1(0-6G)
Length	0,07 m
Weight	0,13 kg



- Gas Tube Breakdown Voltage: 90V / 230V / 350V / 600V
- Frequency range: 0 ~ 6 GHz
- Loss: Less than 0.4 dB

All specifications are subject to change without notice.

