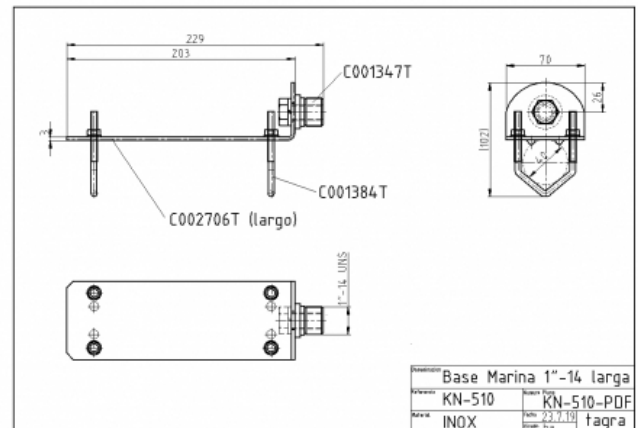


KN-510

KN-510 - FIXED MARINE BASE STAINLESS STEEL MAST 1'' THREAD



Material	Stainless steel
Thread	1''-14 threads
Length	0,20 m
Weight	0,58 kg



3 mm. stainless steel sheet  
Thread 1'' -14 threads.

All specifications are subject to change without notice.