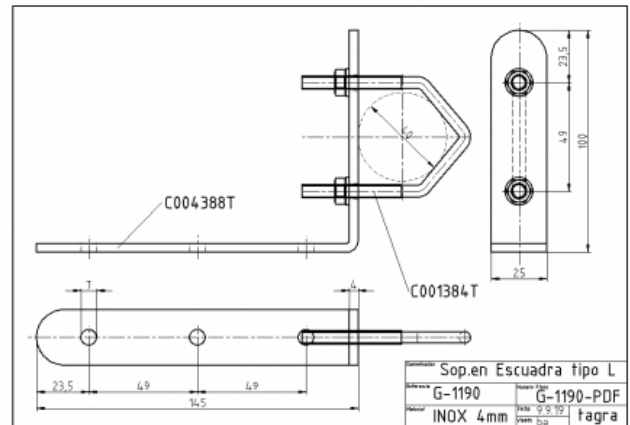


G-1190 - SQUARE SUPPORT 'L' TYPE

Material **INOX**

Length **0,14 m**

Weight **0,20 kg**



- To fix with metal studs
- Reinforced square
- In stainless steel

All specifications are subject to change without notice.

