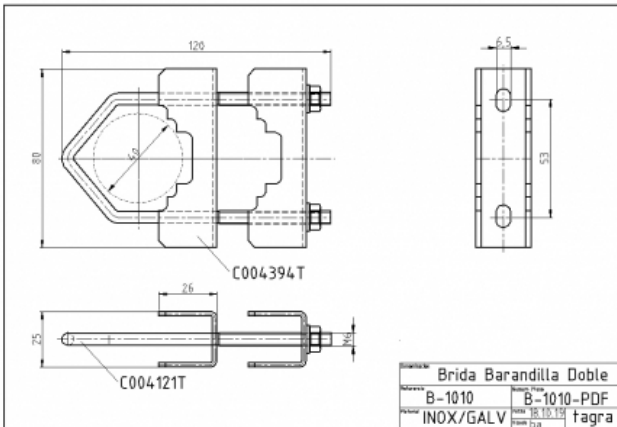


**B-1010 - DOUBLE RAILING FLANGE M6**

Material **INOX/GALV**

Length **0,08 m**

Weight **0,18 kg**



- M.6 size

*All specifications are subject to change without notice.*

